

Monocrystalline Solar Module

315W-350W Mono

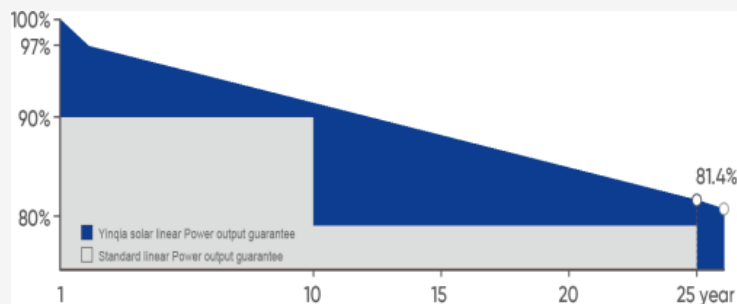
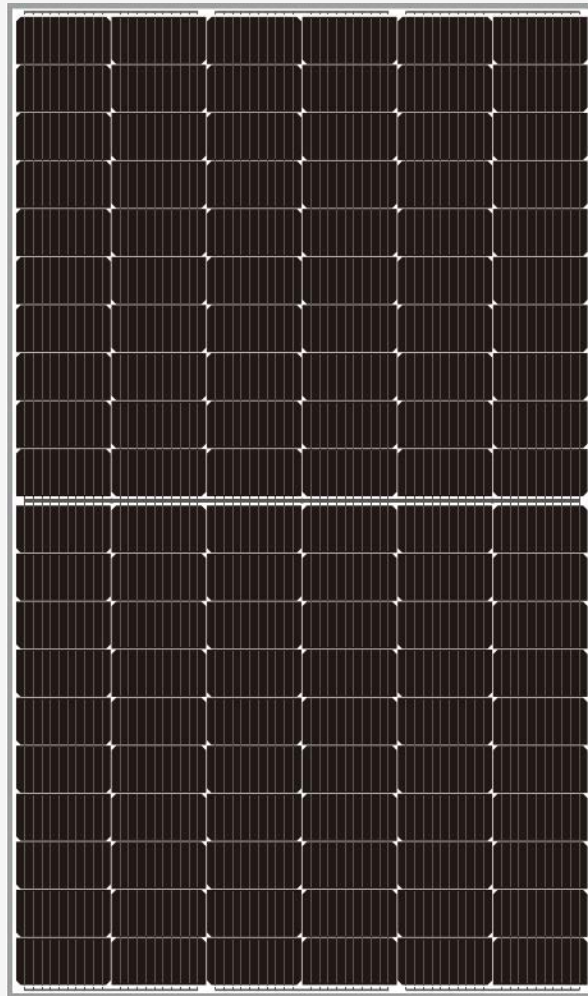
158.75MM Cell 120 Half-cell Layout

Features

- ◆ High cell efficiency with quality silicon material for long term output stability and reliability
- ◆ Rigorous quality control to meet highest international standards
- ◆ High transmittance low iron tempered glass with enhanced Stiffness and impact resistance
- ◆ Unique frame design with high mechanical strength for easy installation
- ◆ Advanced encapsulation material with multiplayer sheet lamination to provide efficient protection from the severest environmental conditions
- ◆ Outstanding electrical performance under high temperature and low irradiance conditions

Applications

- ◆ Any large or small on-grid or off-grid solar power stations
- ◆ Commercial and industrial building roof-top systems
- ◆ Residential roof-top systems
- ◆ Any commercial or industrial ground mount systems
- ◆ Other industrial or commercial applications



Linear performance Warranty

12
YEARS

Quality
Warranty

25
YEARS

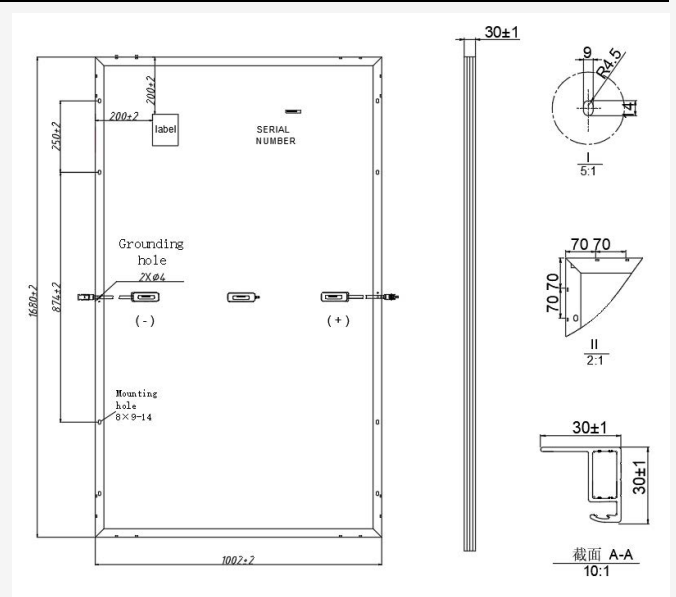
Power
Warranty



- . ISO9001:2015QMS
- . ISO14001:2015EMS
- . ISO45001:2018OHSMS
- . IEC/EN 61215, IEC/EN 61730 Standard

MECHANICAL CHARACTERISTICS

Solar Cells	Mono
NO.of Cells	120(6×20)
Dimensions	1680×1002×30mm
Weight	18kgs
Front Glass	3.2mm coated tempered glass
Frame	Anodized aluminium alloy
Junction Box	Ip68 rated(3 by pass diodes)
	4.0mm ²
Output Cables	300mm
	Length can be customized
Connectors	Mc4 compatible
Mechanical load test	5400Pa



ELECTRICAL PARAMETERS

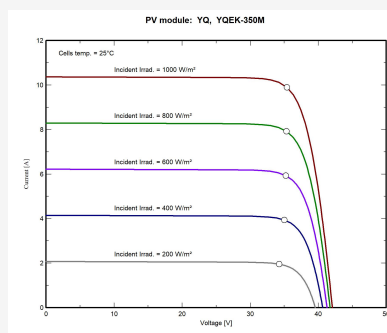
POWER CLASS	YQEK-315M		YQEK-325M		YQEK-335M		YQEK-345M		YQEK-350M	
	STC	NOCT	STC	NOCT	STC	NOCT	STC	NOCT	STC	NOCT
Maximum power (Pmax)	315W	236W	325W	244W	335W	251W	345W	259W	350W	263W
Open Circuit Voltage (Voc)	39.9V	37.66V	40.13V	38.15V	40.71V	38.76V	41.25V	39.62V	41.32V	40.07V
Short Circuit Current (Isc)	10.08A	8.25A	10.16A	8.41A	10.24A	8.53A	10.32A	8.59A	10.36A	8.62A
Voltage at Maximum power (Vmpp)	33.19V	30.87V	33.62V	31.27V	34.16V	31.77V	34.92V	32.48V	35.32V	32.85V
Current Maximum Power (Impp)	9.49A	7.65A	9.67A	7.8A	9.81A	7.91A	9.88A	7.97A	9.91A	7.99A
MODULE EFFICIENCY (%)	18.7		19.3		19.9		20.5		20.8	

STC:Irradiance 1000W/m²,cell temperature 25°C,AM 1.5G NOCT:Irradiance 800W/m²,ambient temperature 20°C,wind speed 1m/s,AM 1.5G

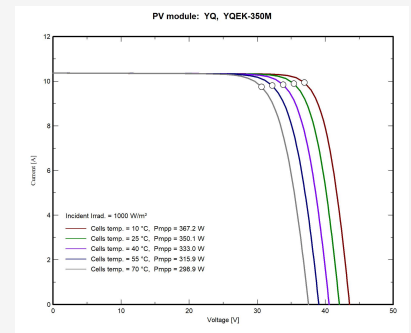
PACKING CONFIGURATION

Container	20'GP	40'HQ
Pieces per pallet	36+36	36+36
Pallets per container	6	13
Pieces per container	432	936
Dimension/Pallet	1740×1138 mm	1740×1138 mm
Gross weight/pallet	1340Kg	1340Kg

I-V CURVE



YQEK-350M/I-V



OPERATING CHARACTERISTICS

Operating Module Temperature	-40°C to +85°C	Nominal Operating Temperature (NOCT)	45±2°C
Maximum System Voltage	1500 DC (IEC)	Temperature Coefficient of Pmax	-0.36%°C
Maximum Series Fuse Rating	20A	Temperature Coefficient of Voc	-0.28%°C
Power Tolerance	0/+5W	Temperature Coefficient of Isc	+0.05%°C

TEMPERATURE CHARACTERISTICS

Note: Due to continuous technical innovation, R&D and improvement ,technical data above mentioned may be of modification accordingly. YQ SOLAR have the sole right to make such modification at anytime without further notice.